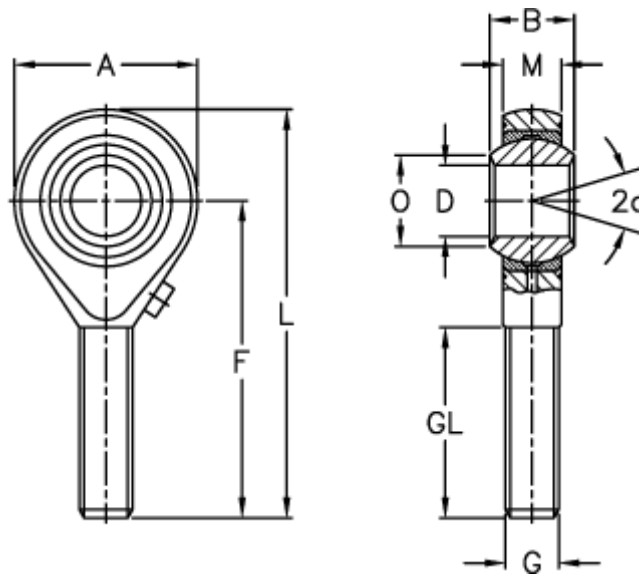


Article number: 03006022

Description: Fluro Rod End GAXS 22
Zinc Plated

Measures



| | | | |
|---------------------|-----------|---------------------|--------|
| A | = 54 | L | = 111 |
| a (degrees) | = 15 | M | = 20 |
| B | = 28 | O | = 25.8 |
| D | = 22 | Permissible rpm | = 500 |
| Dynamic load C (kN) | = 38 | Static load C0 (kN) | = 114 |
| F | = 84 | Weight (g) | = 443 |
| g | = M22x1,5 | | |
| GL | = 51 | | |